

HIGHER VISIBILITY Antislip Safety Products



30 years

Advance Anti-Slip Surfaces produces a specific variety of custom-made Class 1, non-slip, metal backed, ready to install safety products designed to be highly visible to keep workers safe from slip, stumble, trip, tumble, falter and fall incidents.

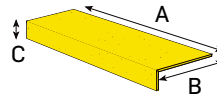
In our Australian manufacturing facility, we make antislip products for all types of pedestrian access safety requirements. From nosings for all types of stairs or steps, ladder rung covers for any type of access ladder, through to nonslip plates for any type of pedestrian walkway or access ramps for daytime or night time use.

Our complimentary colours of bright Safety Yellow, Higher Visibility Green and Safety Red highlights the leading edge of any step or stairway, ladder rung or walkway and provides a safe visible contrast to most pedestrian access areas.

HIGHER VISIBILITY STAIR NOSINGS



How to Measure Stair Nosings

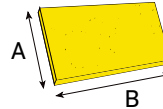


- Metal backed with a carborundum grit and hardened resin surface
- Higher Visibility Safety Yellow, Nano Green, Red
- Safe, Permanent, Effective
- Extremely hard wearing
- Easy to clean
- Australian Standards compliant
- Robust, Durable, Reliable
- Easy to install

HIGHER VISIBILITY SAFEPLATES



How to Measure Safeplates

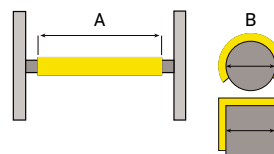


- Metal backed with a carborundum grit and hardened resin surface
- Higher Visibility Safety Yellow, Nano Green, Red
- Sturdy, Strong, resilient
- Easy to clean
- Australian Standards compliant
- Robust, chemical resistant, non-wearing
- Easy to install

HIGHER VISIBILITY LADDER RUNG COVERS



How to Measure Ladder Rung Covers



- Metal backed with a carborundum grit and hardened resin surface
- Higher Visibility Safety Yellow, Nano Green, Red
- Strong, Resilient, Dependable
- Provides Secure Footing on all ladder rungs
- Australian Standards compliant
- Non-wearing, Strong, Durable, Reliable
- Easy to install

PHOTO-LUMINESCENT STAIR NOSING



In addition, the photo-luminescent (Glow-in-the-Dark) range enables people to find their way out during a power outage in dark areas or where emergency egress is required.



ADVANCE ANTI-SLIP SURFACES Pty. Ltd.

6A Aristoc Road, Glen Waverley 3150, Victoria, Australia

P: +61 3 9560 4488 **F:** +61 3 9562 0449 **E:** sales@advanceantislip.com

www.advanceantislip.com



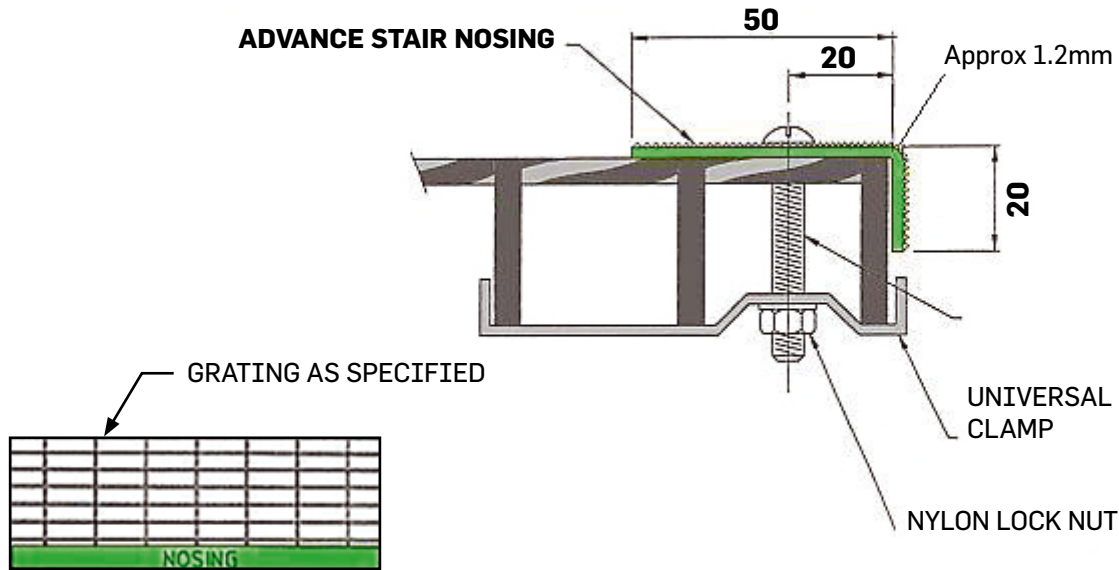
HIGHER VISIBILITY

Antislip Safety Products

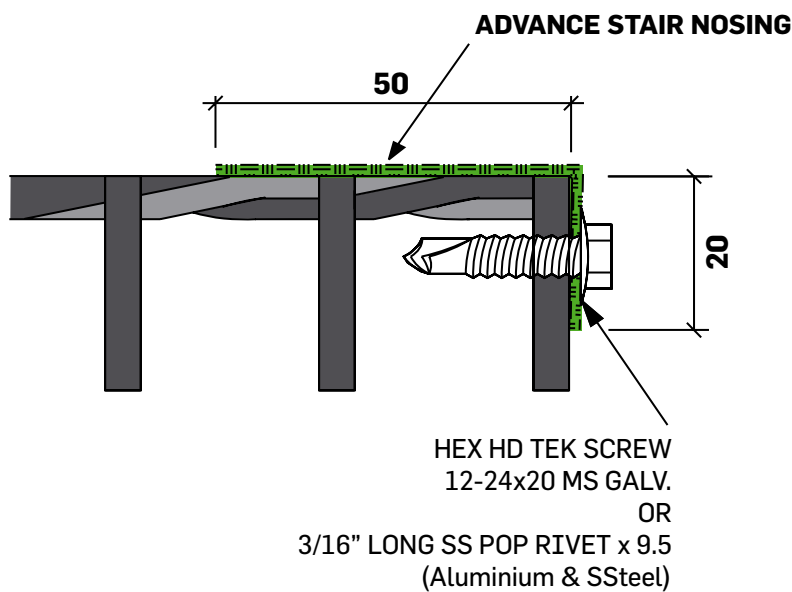


30 years

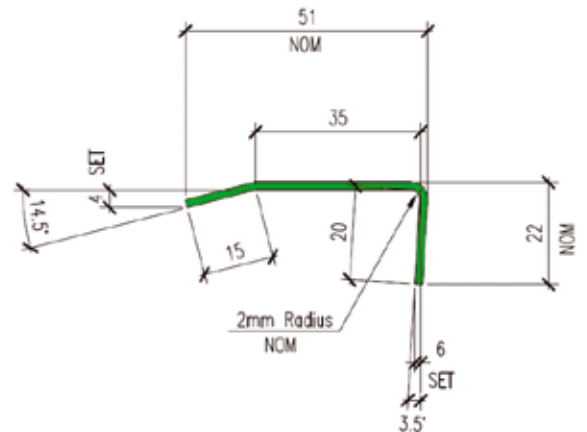
TOP HOLE PROFILE



FRONT HOLE PROFILE



BENDING DETAIL



ADVANCE ANTI-SLIP SURFACES Pty. Ltd.

6A Aristoc Road, Glen Waverley 3150, Victoria, Australia

P: +61 3 9560 4488 F: +61 3 9562 0449 E: sales@advanceantislip.com

www.advanceantislip.com

