

GRATING TREAD STAIR NOSINGS



Advance Anti-Slip Surfaces manufacture a concise range of Class One, ready to install, metal backed antislip stair tread nosings specifically designed for mesh grating steps with a durable non-slip surface.

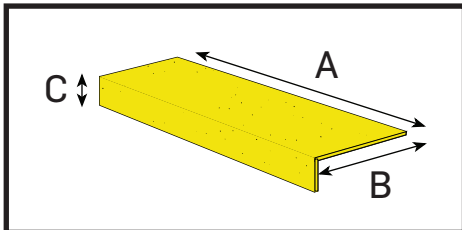
Grating Tread Antislip Stair Nosings come in two standard profiles of a single bend and double bend with a 20mm return (C) by 50mm in depth (B) and a width from 580mm to 1180mm long, that are intended to suit most pedestrian access step treads.

STANDARD SIZE COMBINATIONS

WIDTH (A)	+	DEPTH (B)	+	RETURN (C)
580mm		50mm		20mm
730mm		50mm		20mm
880mm		50mm		20mm
1030mm		50mm		20mm
1180mm		50mm		20mm

Custom sizes available, Made To Order

HOW TO MEASURE STAIR NOSING



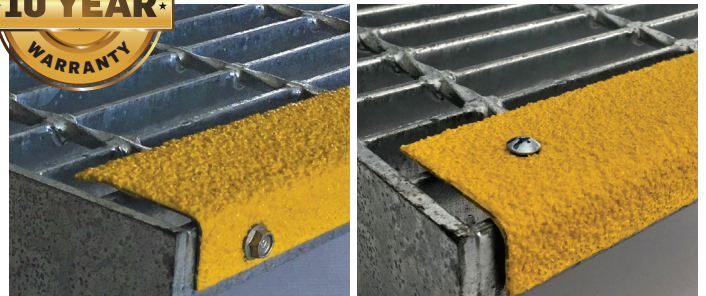
INSTALLATION GUIDE

Universal Clamp Assembly at regular intervals.

Pre-drilled holes come as standard.

If additional holes are required, mark the hole positions and drill through from the underside of the foundation.

Make sure there are sufficient holes to anchor the antislip stair tread nosings to the grating structure.



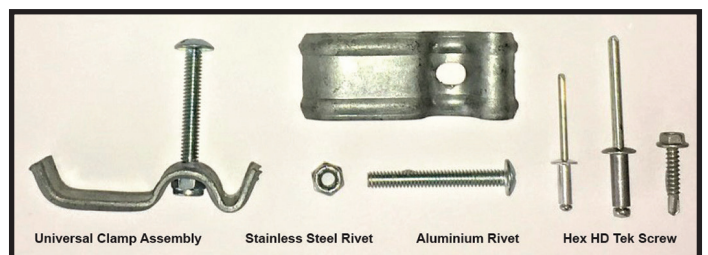
PRODUCT FEATURES

- Provides secure footing
- Robust, durable, reliable
- Safety Yellow nosings highlights the steps leading edge
- Available in many colour options
- Pre-Drilled for simple installation
- Australian Standards compliant
- Backed by an extensive warranty
- Excellent impact, chemical & UV resistance
- Long effective life
- Easy to clean.

AS 1657 – 2013 Section 3.1.3 Slip Resistance

Walking surfaces, including steps, treads and rungs, shall be slip resistant.

Notes: 2. Suitable test methods of slip resistance for pre-existing and new surfaces is given in AS 4586 and AS 4663.



GRADES

HD = Heavy Duty 20

COLOURS

SY = Safety Yellow
BK = Black
BR = Brown
GR = Green
GY = Grey

BL = Blue
RD = Red
WH = White
NA = Nano-Green
Oth = Other

FOUNDATIONS

GL = Galvabond® 1.2mm
AL1.6 = 5052 Aluminium 1.6mm
SS1.2 = 316 Stainless Steel 1.2mm



ADVANCE ANTI-SLIP SURFACES Pty. Ltd.

6A Aristoc Road, Glen Waverley 3150, Victoria, Australia

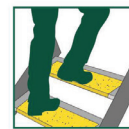
P: +61 3 9560 4488 F: +61 3 9562 0449 E: sales@advanceantislip.com

www.advanceantislip.com



YouTube

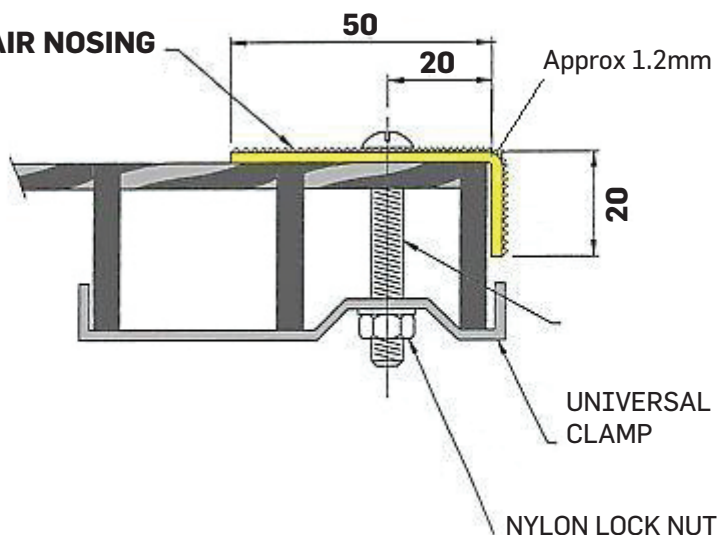
GRATING TREAD STAIR NOSINGS



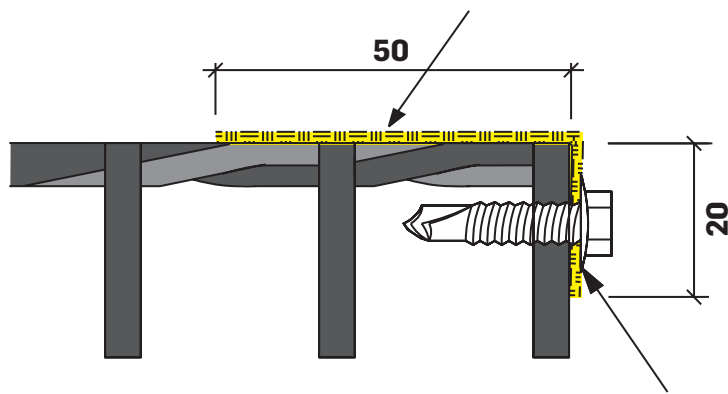
ADVANCE
ANTI-SLIP SURFACES P/L

30 years

ADVANCE STAIR NOSING

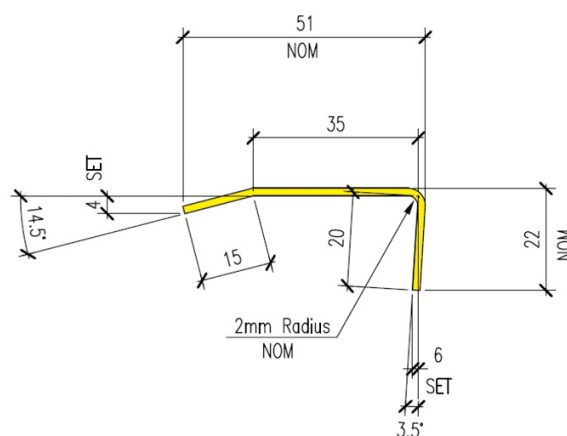


ADVANCE STAIR NOSING



HEX HD TEK SCREW
12-24x20 MS GALV.
OR
3/16" LONG SS POP RIVET x 9.5
(Aluminium & SSteel)

BENDING DETAIL



ADVANCE ANTI-SLIP SURFACES Pty. Ltd.

6A Aristoc Road, Glen Waverley 3150, Victoria, Australia

P: +61 3 9560 4488 F: +61 3 9562 0449 E: sales@advanceantislip.com

www.advanceantislip.com

